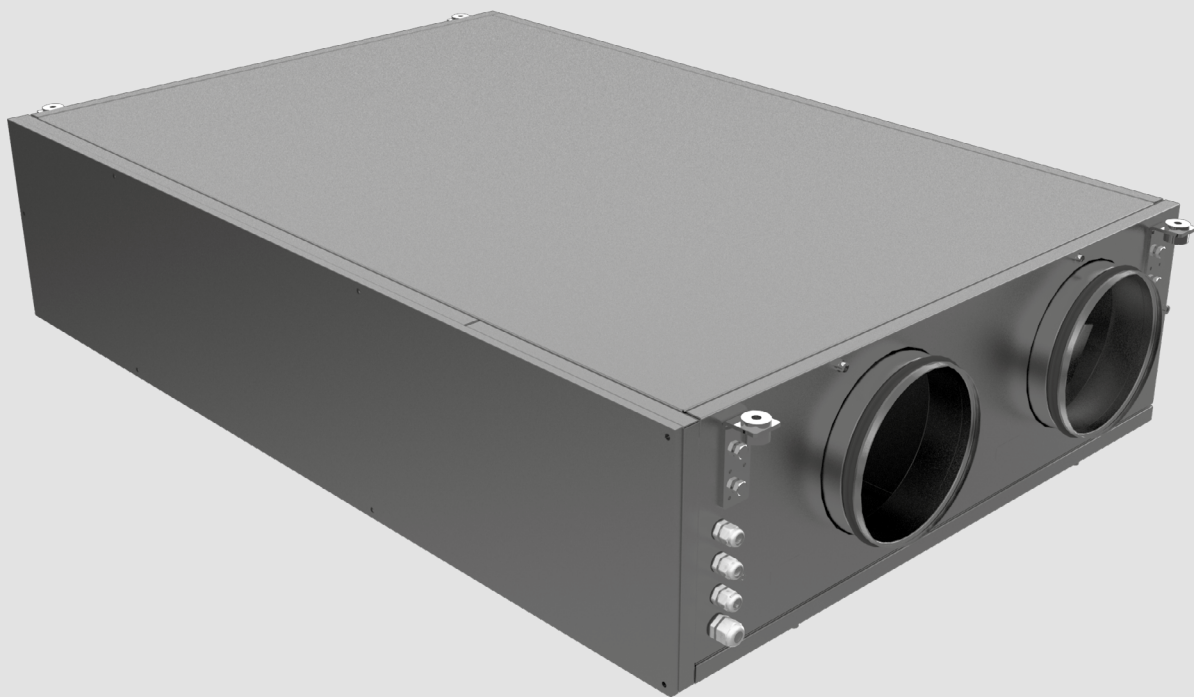


# USER'S MANUAL

---

VUT/VUE 550 PBW EC  
VUT/VUE 900 PBW EC



Heat and energy recovery air handling unit

**CONTENTS**

Safety requirements.....	3
Purpose.....	5
Delivery set.....	5
Product sales.....	5
Designation key.....	5
Technical data.....	6
Design and functioning.....	8
Mounting and set-up.....	9
Connection to power mains.....	12
Technical maintenance.....	13
Troubleshooting.....	14
Storage and transportation regulations.....	14
Manufacturer's warranty.....	15
Certificate of acceptance.....	16
Seller information.....	16
Installation certificate.....	16
Warranty card.....	16

This user's manual is a main operating document intended for technical, maintenance, and operating staff.

The manual contains information about purpose, technical details, operating principle, design, and installation of the VUT/VUE 550/900 PBW EC unit and all its modifications.

Technical and maintenance staff must have theoretical and practical training in the field of ventilation systems and should be able to work in accordance with workplace safety rules as well as construction norms and standards applicable in the territory of the country.

## SAFETY REQUIREMENTS

This unit is not intended for use by persons (including children) with reduced physical, sensory or mental capabilities, or lack of experience and knowledge, unless they have been given supervision or instruction concerning use of the unit by a person responsible for their safety. Children should be supervised to ensure that they do not play with the unit.

This appliance can be used by children aged from 8 years and above and persons with reduced physical, sensory or mental capabilities or lack of experience and knowledge if they have been given supervision or instruction concerning use of the appliance in a safe way and understand the hazards involved.

Cleaning and user maintenance shall not be made by children without supervision.

Children shall not play with the appliance.

Connection to the mains must be made through a disconnecting device, which is integrated into the fixed wiring system in accordance with the wiring rules for design of electrical units, and has a contact separation in all poles that allows for full disconnection under overvoltage category III conditions.

If the supply cord is damaged, it must be replaced by the manufacturer, its service agent, or similarly qualified persons in order to avoid a safety hazard.

**CAUTION:** In order to avoid a safety hazard due to inadvertent resetting of the thermal cut-out, this unit must not be supplied through an external switching device, such as a timer, or connected to a circuit that is regularly switched on and off by the utility.

Ensure that the unit is switched off from the supply mains before removing the guard.

**WARNING:** If there are any unusual oscillating movements, immediately stop using the unit and contact the manufacturer, its service agent or suitably qualified persons.

The replacement of parts of the safety suspension system device shall be performed by the manufacturer, its service agent or suitably qualified persons.

Precautions must be taken to avoid the back-flow of gases into the room from the open flue of gas or other fuel-burning appliances.

The appliance may adversely affect the safe operation of appliances burning gas or other fuels (including those in other rooms) due to back flow of combustion gases. These gases can potentially result in carbon monoxide poisoning. After installation of the unit the operation of flued gas appliances should be tested by a competent person to ensure that back flow of combustion gases does not occur.

Fixing means for attachment to the ceiling such as hooks or other devices shall be fixed with a sufficient strength to withstand 4 times the weight of the appliance.

The mounting of the suspension system shall be performed by the manufacturer, its service agent or suitably qualified persons.

The appliance is to be installed so that the blades are more than 2.3m above the floor.

All operations described in this manual must be performed by qualified personnel only, properly trained and qualified to install, make electrical connections and maintain ventilation units.

Do not attempt to install the product, connect it to the mains, or perform maintenance yourself. This is unsafe and impossible without special knowledge.

Disconnect the power supply prior to any operations with the unit.

All user's manual requirements as well as the provisions of all the applicable local and national construction, electrical, and technical norms and standards must be observed when installing and operating the unit.

Disconnect the unit from the power supply prior to any connection, servicing, maintenance, and repair operations.

Connection of the unit to power mains is allowed by a qualified electrician with a work permit for the electric units up to 1000 V after careful reading of the present user's manual.

Check the unit for any visible damage of the impeller, the casing, and the grille before starting installation. The casing internals must be free of any foreign objects that can damage the impeller blades.

While mounting the unit, avoid compression of the casing! Deformation of the casing may result in motor jam and excessive noise.

Misuse of the unit and any unauthorised modifications are not allowed.

Do not expose the unit to adverse atmospheric agents (rain, sun, etc.).

Transported air must not contain any dust or other solid impurities, sticky substances, or fibrous materials.

Do not use the unit in a hazardous or explosive environment containing spirits, gasoline, insecticides, etc.

Do not close or block the intake or extract vents in order to ensure the efficient air flow.

Do not sit on the unit and do not put objects on it.

The information in this user's manual was correct at the time of the document's preparation.

The Company reserves the right to modify the technical characteristics, design, or configuration of its products at any time in order to incorporate the latest technological developments.

Never touch the unit with wet or damp hands.

Never touch the unit when barefoot.

**BEFORE INSTALLING ADDITIONAL EXTERNAL DEVICES, READ THE RELEVANT USER MANUALS.**



**THE PRODUCT MUST BE DISPOSED SEPARATELY AT THE END OF ITS SERVICE LIFE.**

**DO NOT DISPOSE THE UNIT AS UNSORTED DOMESTIC WASTE**

## PURPOSE

The unit is designed to ensure continuous mechanical air exchange in houses, offices, hotels, cafes, conference halls, and other utility and public spaces as well as to recover the heat energy contained in the air extracted from the premises to warm up the filtered stream of intake air.

The unit is not intended for organizing ventilation in swimming pools, saunas, greenhouses, summer gardens, and other spaces with high humidity.

Due to the ability to save heating energy by means of energy recovery, the unit is an important element of energy-efficient premises.

The unit is a component part and is not designed for stand-alone operation. It is rated for continuous operation.

Transported air must not contain any flammable or explosive mixtures, evaporation of chemicals, sticky substances, fibrous materials, coarse dust, soot and oil particles or environments favourable for the formation of hazardous substances (toxic substances, dust, pathogenic germs).



**THE UNIT SHOULD NOT BE OPERATED BY CHILDREN OR PERSONS WITH REDUCED PHYSICAL, MENTAL, OR SENSORY CAPACITIES, OR THOSE WITHOUT THE APPROPRIATE TRAINING.**

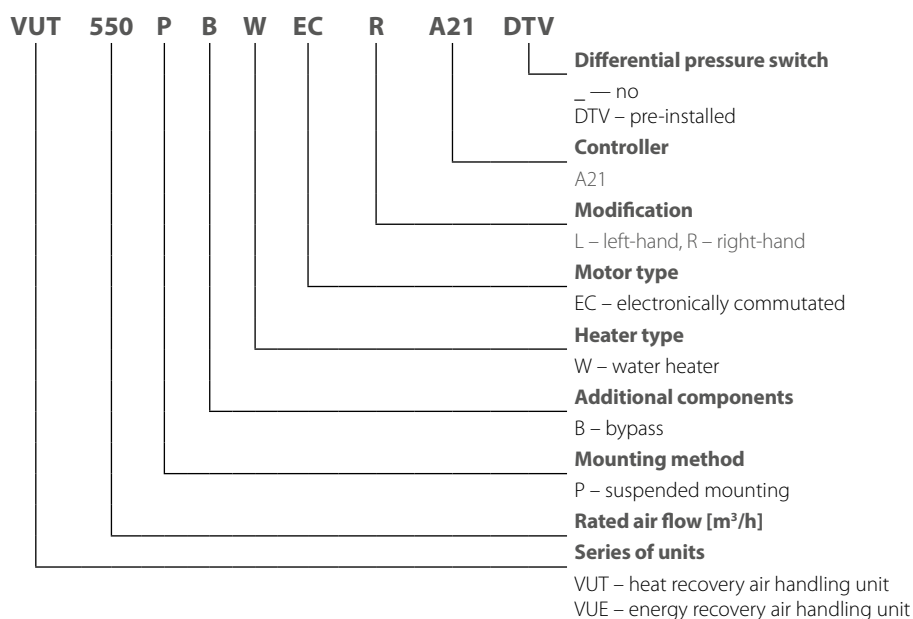
**THE UNIT MUST BE INSTALLED AND CONNECTED ONLY BY PROPERLY QUALIFIED PERSONNEL AFTER THE APPROPRIATE BRIEFING.**

**THE CHOICE OF UNIT INSTALLATION LOCATION MUST PREVENT UNAUTHORISED ACCESS BY UNATTENDED CHILDREN.**

## DELIVERY SET

Name	Number
Unit	1 pc.
User's manual	1 pc.
Packing box	1 pc.

## DESIGNATION KEY



## TECHNICAL DATA

The unit is designed for indoor application with the ambient temperature ranging from +1 °C up to +40 °C and relative humidity up to 60 % without condensation. In cold, damp rooms, there is a possibility of freezing or condensation inside and outside the casing. In order to prevent condensation on the internal walls of the unit, it is necessary that the surface temperature of the casing is 2-3 °C above the dew point temperature of the transported air.

The unit should be operated continuously, and in cases where ventilation is not necessary, reduce the air flow of the fans to a minimum (20%). This will ensure a favorable indoor climate and reduce the amount of condensation inside the unit, which can damage electronic components. Never use the unit for dehumidification, for example, of new buildings.

The unit is rated as a Class I electrical appliance.

Hazardous parts access and water ingress protection rating:

IP22 for the unit connected to the air ducts

IP44 for the unit motors

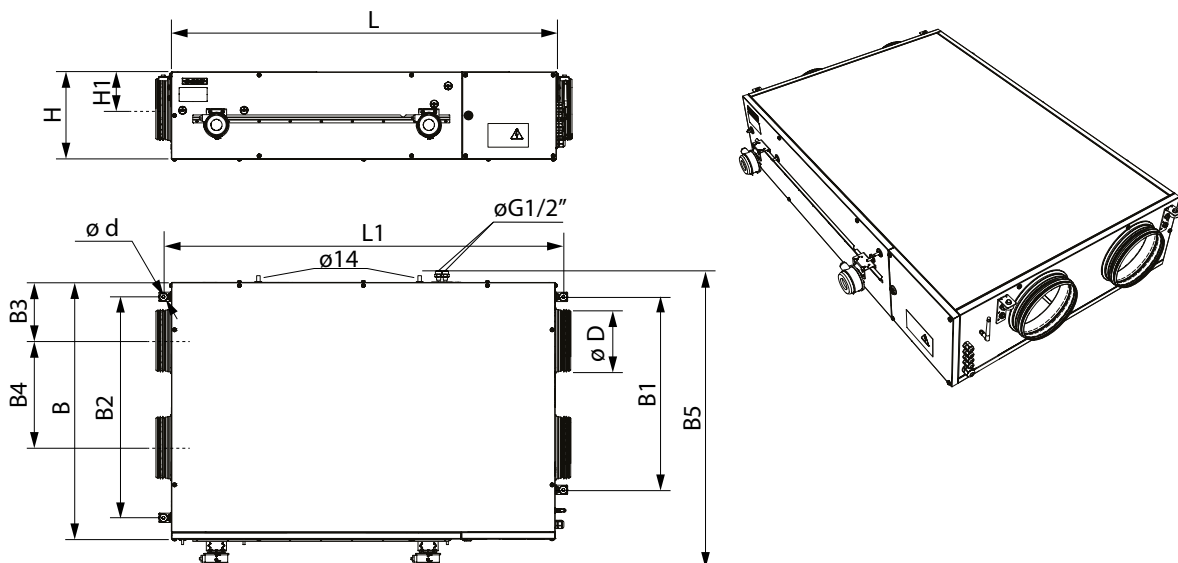
The unit design is constantly being improved, thus some models may be slightly different from those described in this manual.

## TECHNICAL DATA

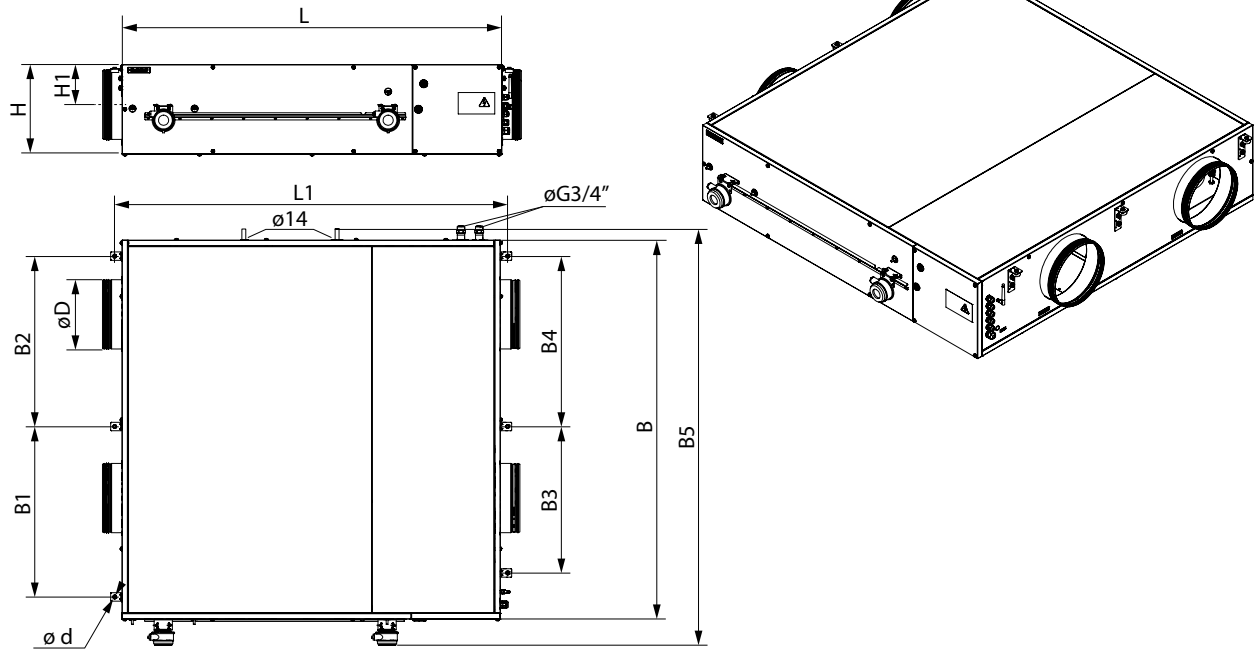
MODEL	VUT/VUE 550 PBW EC	VUT/VUE 900 PBW EC
Supply voltage, 50 (60) Hz [V]	1~ 230	
Maximum fan power [W]	297	442
Number of water heater rows	2	4
Maximum unit current [A]	2,4	3
Maximum air flow [m <sup>3</sup> /h]	620	1030
RPM [min <sup>-1</sup> ]	3100	2720
Sound pressure level at 3 m distance [dBA]	30	33
Transported air temperature [°C]	-25...+40	
Casing material	Aluzinc	
Insulation, mineral wool [mm]	20	
Filtering class of the extract filter	G4	
Filtering class of the supply filter	G4 (optionally – F7)	
Connected air duct diameter [mm]	200	250
Weight [kg]	68	112
Heat recovery efficiency [%]	78...90/69...87	75...88/69...85
Heat exchanger type	Counter-flow	
Heat exchanger material	Polystyrene/Enthalpy	
SEC class	A	A

\*The VUE units are equipped with an enthalpy heat exchanger and do not require condensate drainage.

### VUT/VUE 550 PBW EC



## VUT/VUE 900 PBW EC



Dimensions [mm]

Model	Ø D	B	B1	B2	B3	B4	B5	H	H1	L	L1	Ø d
VUT/VUE 550 PBW EC	200	827	622	713	188	345	960	280	120	1238	1290	9
VUT/VUE 900 PBW EC	250	1351	607	607	522	607	1493	318	143	1349	1402	9

## DESIGN AND OPERATING PRINCIPLE

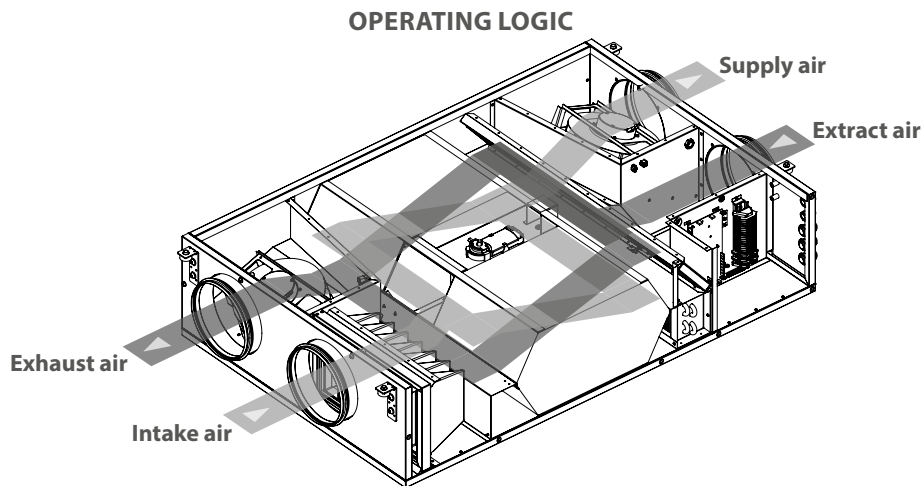
Warm stale extract air from the room flows into the unit, where it is filtered by the extract filter, then air flows through the heat exchanger and is exhausted outside by the extract fan.

Clean cold air from outside is moved to the supply filter. Then filtered air flows through the heat exchanger and is moved to the room with the supply fan.

Heat energy of warm extract air is transferred to clean intake fresh air from outside and warms it up.

Heat recovery minimizes thermal energy losses and space heating expenses in cold seasons.

The unit is equipped with a detachable service panel for repair and maintenance operations and a cover enabling access to the control system components.



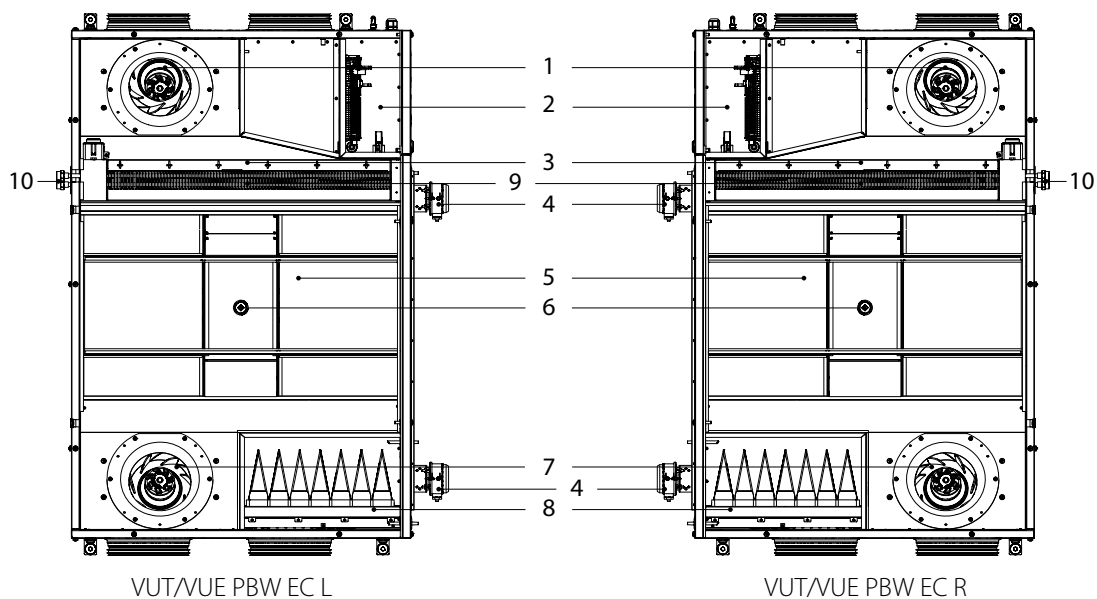
The unit is equipped with supply and extract centrifugal single-inlet fans with backward curved blades; maintenance-free EC motors with an external rotor and a built-in overheating protection; a plate counterflow heat exchanger and an water heater.

The supply G4 filter cleans supply air flow and prevents contamination of the unit parts.

The extract G4 filter prevents contamination of the unit components.

Some condensate may form during heat recovery. The condensate is collected in the drain pan and is removed from the unit through the drain pipes.

## DESIGN. BOTTOM VIEW



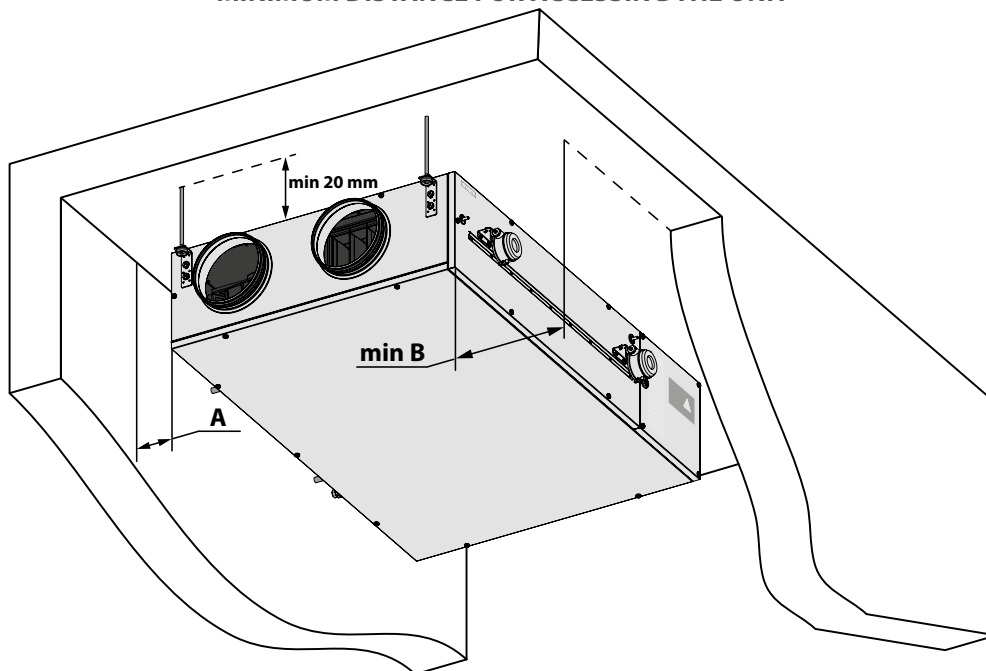
1. Supply fan; 2. Control unit; 3. Extract filter; 4. Differential pressure switch; 5. Heat exchanger; 6. Bypass; 7. Extract fan; 8. Supply filter; 9. Water heater; 10. Water heater connection



## MOUNTING AND SET-UP

While mounting the unit provide enough space for its maintenance or repair work.

### MINIMUM DISTANCE FOR ACCESSING THE UNIT

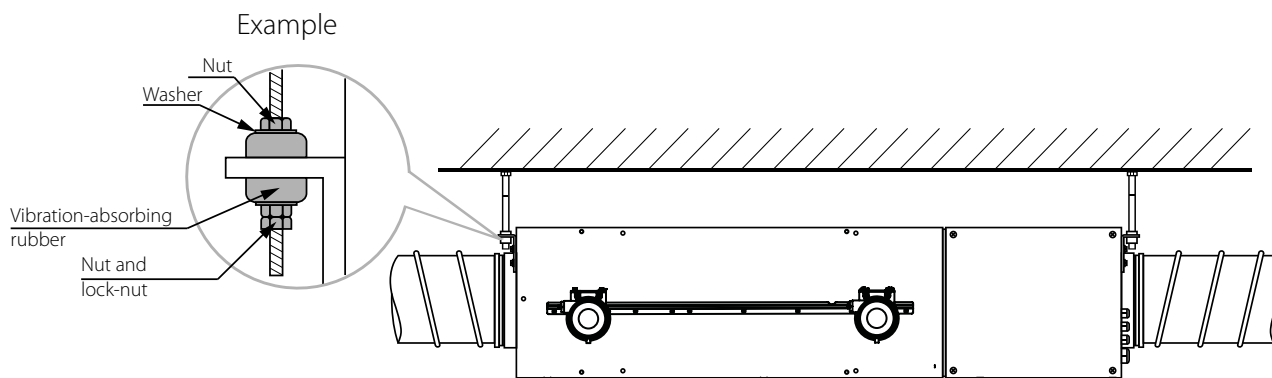


A – minimum required access distance for water heater installation.  
 The distance is selected depending on the installation conditions at the discretion of the installer.

Model	VUT/VUE 550 PBW EC	VUT/VUE 900 PBW EC
min B, mm	850	800

### UNIT INSTALLATION

The unit must be suspended to the ceiling on the threaded rod that is fixed inside a dowel.



To attain the best performance of the unit and to minimise turbulence-induced air pressure losses, connect a straight air duct section on both sides of the unit while mounting.

Minimum straight air duct length:

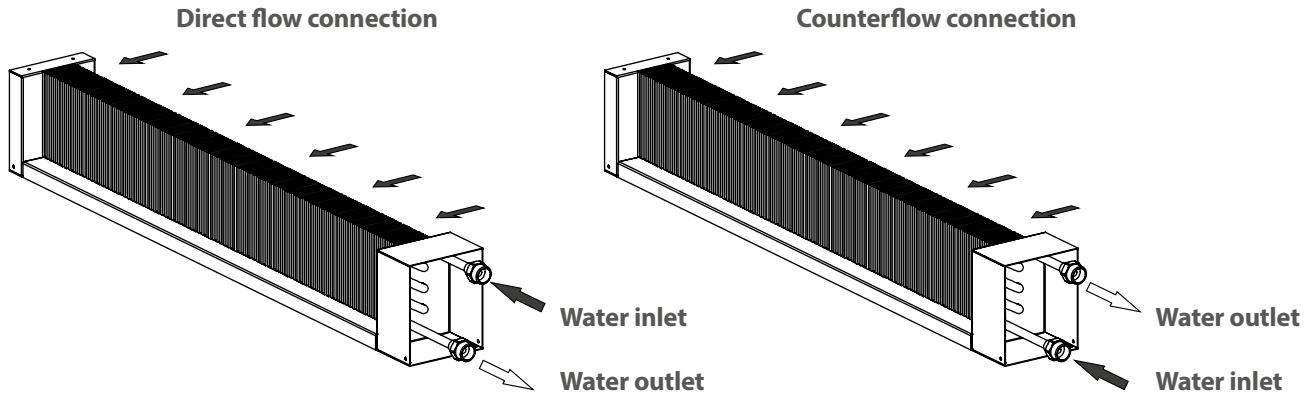
- equal to 1 air duct diameter on the intake side
- equal to 3 air duct diameters on the outlet side

If the air ducts are too short or not connected, protect the unit parts from ingress of foreign objects, e.g. by covering the spigots with a protecting grille or other protecting device with mesh width not more than 12.5 mm to prevent uncontrollable access to the fans.

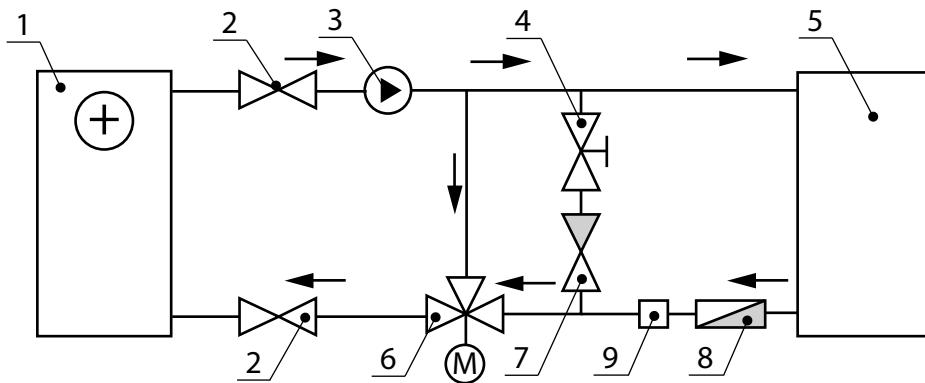
**READ THE USER'S MANUAL BEFORE INSTALLING THE UNIT.**

### WATER HEATER CONNECTION

In order to attain maximum power the water heater should be counterflow connected.  
 In case of the direct-flow connection, the water heater has lower power but higher frost-resistant properties.  
 Mixing unit diagram (not included in the delivery set) of the water heater is shown in the following figure.

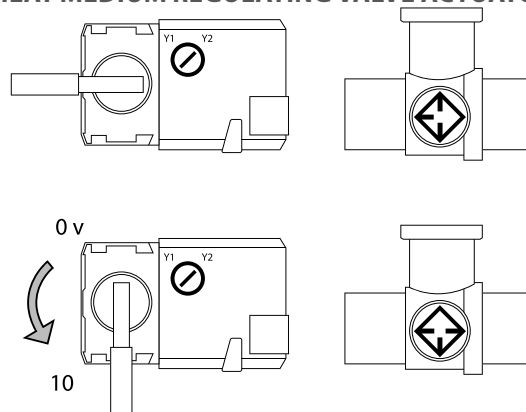


### MIXING UNIT DIAGRAM



1. Water heater
2. Shutoff valves
3. Circulation pump
4. Bypass damper
5. Boiler
6. Regulating valve of the heater with an actuator
7. Non-return valve
8. Coarse filter
9. Water pressure sensor (nc).

### HEAT MEDIUM REGULATING VALVE ACTUATOR

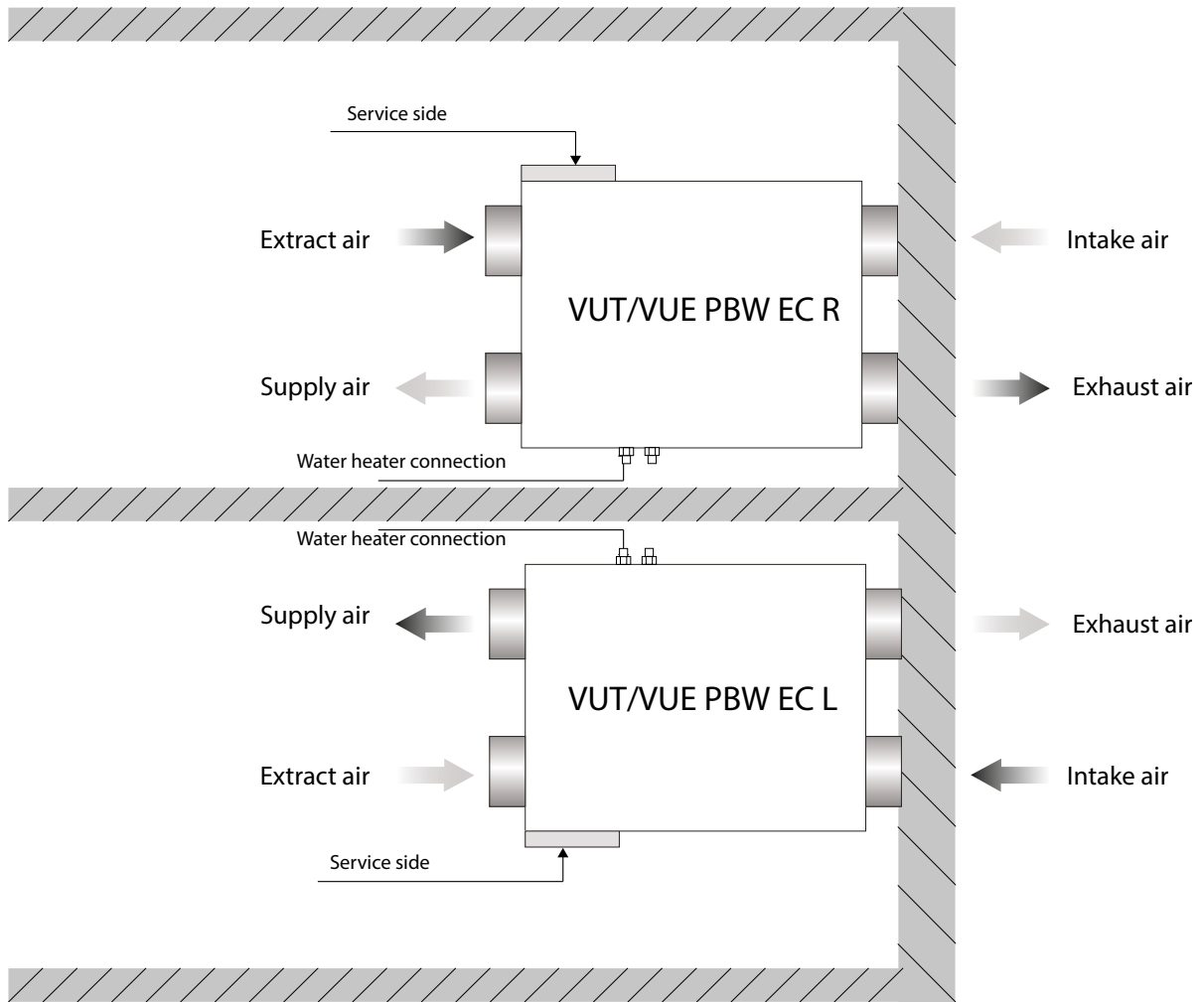


#### Caution!

The unit operates in two modes: Winter and Summer.  
 The Winter mode is activated at outdoor temperature below +10 °C.  
 At higher outdoor temperature the unit operates in Summer mode.  
 In Summer mode the unit operates regardless of the return heat medium temperature in the mixing unit.  
 In Winter mode the unit has following temperature limits: the unit will not be turned on at a return heat medium temperature below +40 °C.  
 When the return heat medium temperature reaches +40 °C and higher, the unit will turn on with a delay of 90 seconds.  
 The unit turns off when the return heat medium temperature falls below +20 °C.

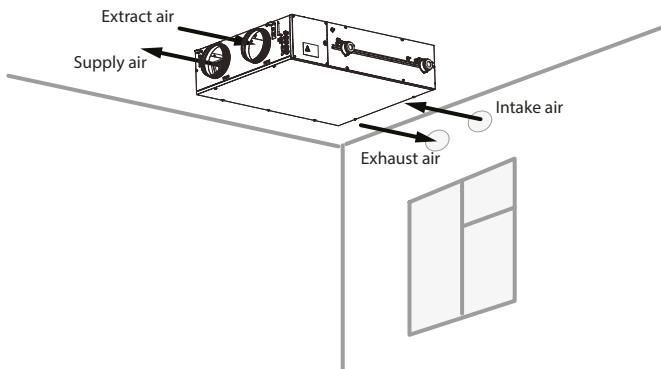
### UNIT MODIFICATIONS

The unit is available both in left- and right-handed modifications for easy installation and providing minimum distances for access to the unit.

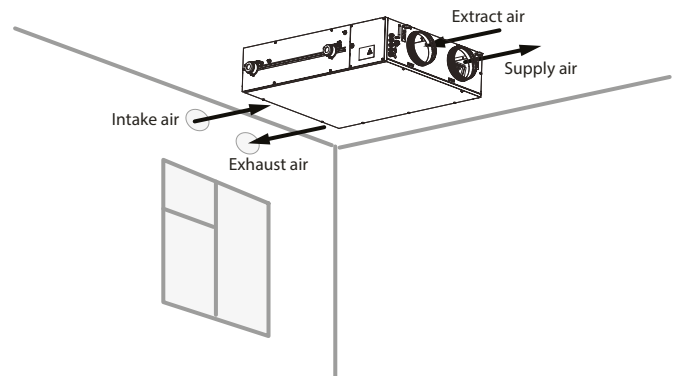


Top view

### VUT/VUE PBW EC L



### VUT/VUE PBW EC R



### Safety precautions

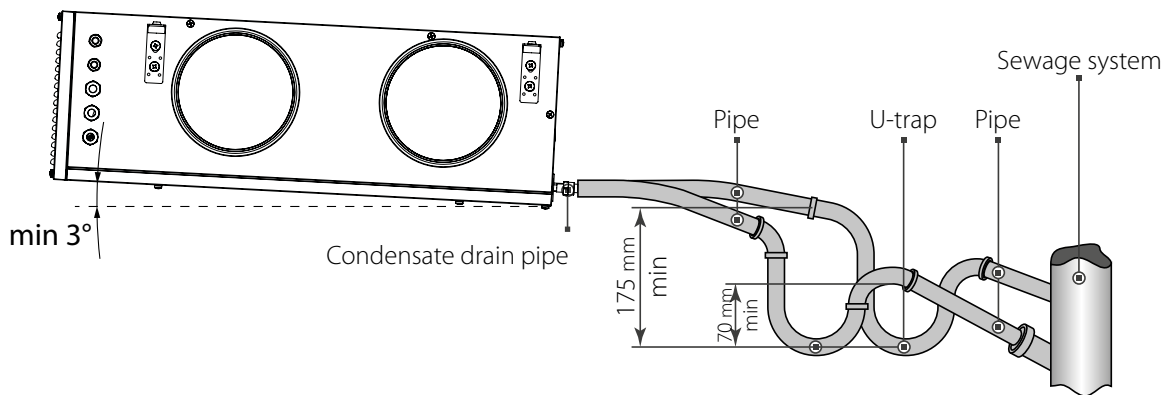
The unit must be mounted to a rigid and stable structure. The unit must be suspended using threaded rods. Before starting mounting check that the mounting structure has sufficient loading capacity for the unit weight. Otherwise reinforce the mounting location with beams or similar elements. If the threaded rods used for the unit mounting are too short, the unit can generate abnormal noise resulting from resonance with the ceiling. Use threaded rods of sufficient length to prevent resonance.

If the abnormal noise is generated at the spiral air duct joint, replace the spiral air duct with a flexible one to prevent resonance. Flexible anti-vibration connectors are another alternative for dealing with resonance.

### CONDENSATE DRAINAGE

The drain pan is equipped with two drain pipes for condensate removal outside the unit. Connect the drain pipe, the U-trap (not included in the standard delivery set) and the sewerage system with metal, plastic or rubber pipes. While laying the connection pipes provide the slope of minimum 3° downwards. Each drainage tube is connected to a separate siphon. Fill the system with water prior to connecting it to power supply! The U-trap must always be filled with water. Provide free drainage for the condensed water, otherwise it is accumulated inside the unit that may cause the equipment damage and condensate outflow to the room. The condensate drainage system is designed for normal operation in premises with air temperatures above 0 °C! If the expected ambient air temperatures are below 0 °C, the condensate drainage system must be equipped with heat insulation and preheating facilities.

Drainage removal is not required for VUE modifications, since they are equipped with an enthalpy heat exchanger.



**CONNECTION TO POWER MAINS**

**DISCONNECT THE UNIT FROM POWER SUPPLY PRIOR TO ANY OPERATIONS WITH THE UNIT.**

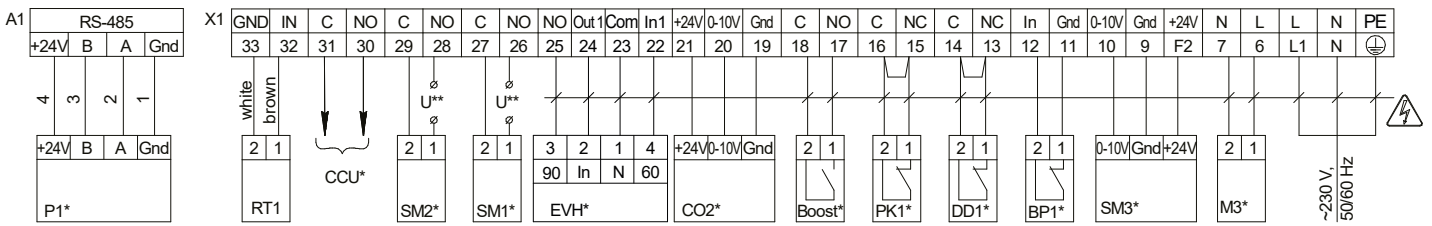
**THE UNIT MUST BE CONNECTED TO POWER MAINS BY A QUALIFIED ELECTRICIAN.**

**THE RATED ELECTRICAL PARAMETERS OF THE UNIT ARE GIVEN ON THE MANUFACTURER'S LABEL.**

**ANY TAMPERING WITH THE INTERNAL CONNECTIONS IS PROHIBITED AND WILL VOID THE WARRANTY.**

The unit is rated for connection to 230 V/50 (60) Hz single-phase alternating current power mains via insulated, durable and thermal-resistant cords (cables, wires) with respective cross section not less than 2.5 mm<sup>2</sup>. The cable cross-section is given for reference only. The applicable cable cross section must be selected depending on the wire type, its maximum temperature and insulation, the maximum current, the wire length and its installation method. Connect the unit to power mains through the external automatic circuit breaker with a magnetic trip integrated into the fixed wiring system with the rated current not below the rated current consumption. The terminal block with the prewired control unit is located inside the control unit compartment. To connect the power and the ground cable, route the cables through the airtight electric lead-in in the unit casing and connect these to the terminal block. The wiring diagram for connection of the air handling unit to power supply is on the back side of the lid.

**EXTERNAL CONNECTIONS DIAGRAM OF A21**



Designation	Name	Model	Wire	Note
RT1	Outdoor temperature sensor		2 x 0.25 mm <sup>2</sup>	
M3*	Circulation pump		2 x 0.75 mm <sup>2</sup>	
SM3*	Three-way valve electric actuator		3 x 0.75 mm <sup>2</sup>	
BP1*	Heating medium flow control sensor	NC	2 x 0.75 mm <sup>2</sup>	
DD1*	Heating medium pressure switch	NC	2 x 0.75 mm <sup>2</sup>	remove the jumper
PK1*	Contact from fire alarm panel	NC	2 x 0.75 mm <sup>2</sup>	remove the jumper
Boost*	On/Off contacts of the Boost mode	NO	2 x 0.75 mm <sup>2</sup>	
CO2*	External CO <sub>2</sub> sensor		3 x 0.25 mm <sup>2</sup>	
P1*	External control panel		4 x 0.5 mm <sup>2</sup>	
SM1*	Supply air damper actuator	NO	2 x 0.75 mm <sup>2</sup>	3 A, 30 V DC / 250 V AC
SM2*	Exhaust air damper actuator	NO	2 x 0.75 mm <sup>2</sup>	3 A, 30 V DC / 250 V AC
CCU*	Cooler control	NO	2 x 0.75 mm <sup>2</sup>	3 A, 30 V DC / 250 V AC
EVH*	Channel heater (preheating)		4 x 0.5 mm <sup>2</sup>	

\*Is not included in the delivery set.

\*\*The supply voltage U of the SM1, SM2 external dampers is selected depending on the type of dampers.

Output parameters: terminals 26-31 – 3 A, 30VDC/~ 250VAC ("dry contact").



## TECHNICAL MAINTENANCE



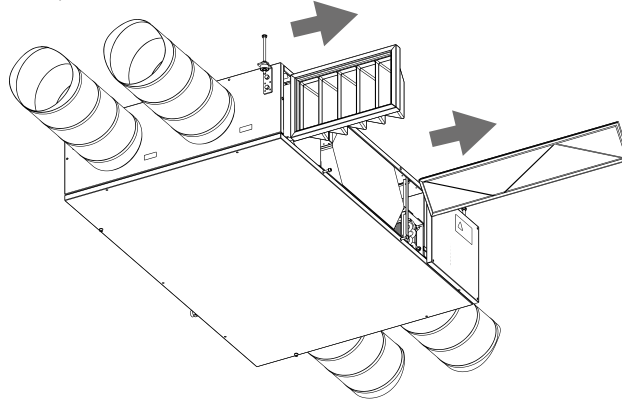
**DISCONNECT THE UNIT FROM POWER SUPPLY BEFORE ANY MAINTENANCE OPERATIONS!**

**MAKE SURE THE UNIT IS DISCONNECTED FROM POWER MAINS BEFORE REMOVING THE PROTECTION**

Maintenance operations of the unit are required 3-4 times per year. They include general cleaning of the unit and the following operations:

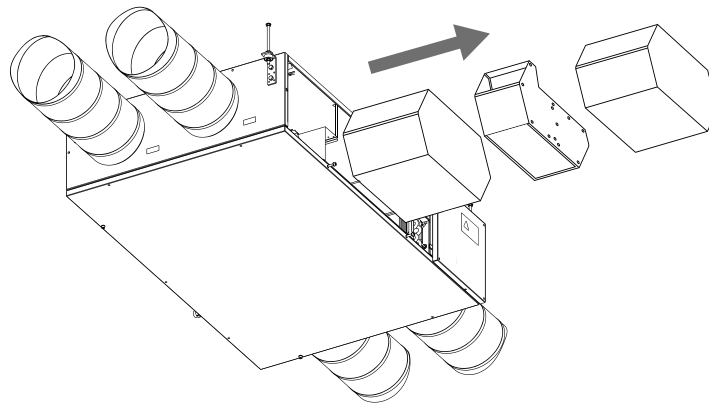
### 1. Filter maintenance (3-4 times per year).

Dirty filters increase air resistance in the system and reduce supply air volume. The filters require cleaning not less than 3-4 times per year. Clean the filter with a vacuum cleaner or replace it with a new one. For new filters contact the Seller.



### 2. Heat exchanger maintenance (once per year).

Some dust may accumulate on the heat exchanger even in case of regular maintenance of the filters. To maintain the high heat recovery efficiency, regular cleaning is required. To clean the heat exchanger, remove it from the unit and clean the heat exchanger by using compressed air or a vacuum cleaner. In case of severe contamination, the heat exchanger can be washed with water. After cleaning, reinstall the heat exchanger into the unit.



### 3. Fan maintenance (once per year).

Even in case of regular maintenance of the filters, some dust may accumulate inside the fans and reduce the fan performance and supply air flow.

The fans must be cleaned by a service technician.

### 4. Condensate drainage system maintenance (4 times per year).

The condensate drainage (drain line) may get clogged by dirt and dust particles contained in the exhaust air.

Check the drain line operation by filling the drain pan under the unit with water, clean the U-trap and the drain line, if necessary.

### 5. Supply air flow control (twice per year).

The supply duct grille may get clogged with leaves and other objects reducing the unit performance and supply air delivery.

Check the supply grille twice per year and clean it as required.

### 6. Ductwork system maintenance (once in 5 years).

Even regular fulfilling of all the maintenance operations prescribed above may not completely prevent dirt accumulation in the air ducts, which leads to air pollution and reduces the unit capacity.

Duct maintenance means regular cleaning or replacement.

## TROUBLESHOOTING



**IF UNIDENTIFIED NOISES OR ODOURS SHOULD ARISE AND IN CASE OF DEFORMATION OF ELEMENTS, VIBRATION, TERMINATION OF AIR SUPPLY/EXTRACTION OR REDUCED SYSTEM PERFORMANCE, IMMEDIATELY DISCONNECT THE UNIT FROM POWER SUPPLY AND CONTACT THE SELLER FOR THE VENTILATION SYSTEM DIAGNOSTICS.**

**DIAGNOSTICS MUST BE CARRIED OUT BY QUALIFIED SPECIALISTS**

### POSSIBLE REASONS AND TROUBLESHOOTING

Problem	Possible reasons	Troubleshooting
The fan(s) does (do) not start when the unit is on.	No power supply.	Make sure the power supply line is connected correctly, otherwise troubleshoot the connection error.
	The mode in which the fans are turned off is set.	Change the mode with the help of the control panel.
Low air flow.	Low set fan speed.	Set higher speed.
	The filters and the fans are clogged, the heat exchanger is clogged.	Clean or replace the filters, clean the fans and the heat exchanger.
	The ventilation system elements (air ducts, diffusers, louver shutters, grilles) are clogged, damaged or closed.	Clean or replace the ventilation system elements, such as air ducts, diffusers, louver shutters, grilles.
Cold supply air.	The extract filter is soiled.	Clean or replace the extract filter.
High noise, vibration.	The fan or casing screw connection is loose.	Tighten the screw connection of the fans or the casing.
	No anti-vibration connectors on air duct pipe flanges.	Install anti-vibration connectors.
Water leakage (only for the VUT units).	The drainage system is soiled, damaged, or installed incorrectly.	Clean the drain line. Check the drain line slope angle. Make sure that the U-trap is filled with water and the drain pipes are frost protected.

**If troubleshooting steps have failed,  
contact the Seller of the product.**

**In case of faults not described in the table,  
contact the Seller for further information.**

## STORAGE AND TRANSPORTATION REGULATIONS

- Store the unit in the manufacturer's original packaging box in a dry closed ventilated premise with temperature range +5 °C...+40 °C and relative humidity up to 70 %.
- Storage environment must not contain aggressive vapors and chemical mixtures provoking corrosion, insulation, and sealing deformation.
- Use suitable hoist machinery for handling and storage operations to prevent possible damage to the unit.
- Follow the handling requirements applicable for the particular type of cargo.
- The unit can be carried in the original packaging by any mode of transport provided proper protection against precipitation and mechanical damage. The unit must be transported only in the working position.
- Avoid sharp blows, scratches, or rough handling during loading and unloading.
- Prior to the initial power-up after transportation at low temperatures, allow the unit to warm up at operating temperature for at least 3-4 hours.

## MANUFACTURER'S WARRANTY

The product is in compliance with EU norms and standards on low voltage guidelines and electromagnetic compatibility. We hereby declare that the product complies with the provisions of Electromagnetic Compatibility (EMC) Directive 2014/30/EU of the European Parliament and of the Council, Low Voltage Directive (LVD) 2014/35/EU of the European Parliament and of the Council and CE-marking Council Directive 93/68/EEC. This certificate is issued following test carried out on samples of the product referred to above.

The manufacturer hereby warrants normal operation of the unit for 24 months after the retail sale date provided the user's observance of the transportation, storage, installation, and operation regulations. Should any malfunctions occur in the course of the unit operation through the Manufacturer's fault during the guaranteed period of operation, the user is entitled to get all the faults eliminated by the manufacturer by means of warranty repair at the factory free of charge. The warranty repair includes work specific to elimination of faults in the unit operation to ensure its intended use by the user within the guaranteed period of operation. The faults are eliminated by means of replacement or repair of the unit components or a specific part of such unit component.

### The warranty repair does not include:

- routine technical maintenance
- unit installation/dismantling
- unit setup

To benefit from warranty repair, the user must provide the unit, the user's manual with the purchase date stamp, and the payment paperwork certifying the purchase. The unit model must comply with the one stated in the user's manual. Contact the Seller for warranty service.

### The manufacturer's warranty does not apply to the following cases:

- User's failure to submit the unit with the entire delivery package as stated in the user's manual including submission with missing component parts previously dismantled by the user.
- Mismatch of the unit model and the brand name with the information stated on the unit packaging and in the user's manual.
- User's failure to ensure timely technical maintenance of the unit.
- External damage to the unit casing (excluding external modifications as required for installation) and internal components caused by the user.
- Redesign or engineering changes to the unit.
- Replacement and use of any assemblies, parts and components not approved by the manufacturer.
- Unit misuse.
- Violation of the unit installation regulations by the user.
- Violation of the unit control regulations by the user.
- Unit connection to power mains with a voltage different from the one stated in the user's manual.
- Unit breakdown due to voltage surges in power mains.
- Discretionary repair of the unit by the user.
- Unit repair by any persons without the manufacturer's authorization.
- Expiration of the unit warranty period.
- Violation of the unit transportation regulations by the user.
- Violation of the unit storage regulations by the user.
- Wrongful actions against the unit committed by third parties.
- Unit breakdown due to circumstances of insuperable force (fire, flood, earthquake, war, hostilities of any kind, blockades).
- Missing seals if provided by the user's manual.
- Failure to submit the user's manual with the unit purchase date stamp.
- Missing payment paperwork certifying the unit purchase.



**FOLLOWING THE REGULATIONS STIPULATED HEREIN WILL ENSURE A LONG AND TROUBLE-FREE OPERATION OF THE UNIT**



**USER'S WARRANTY CLAIMS SHALL BE SUBJECT TO REVIEW ONLY UPON PRESENTATION OF THE UNIT, THE PAYMENT DOCUMENT AND THE USER'S MANUAL WITH THE PURCHASE DATE STAMP**





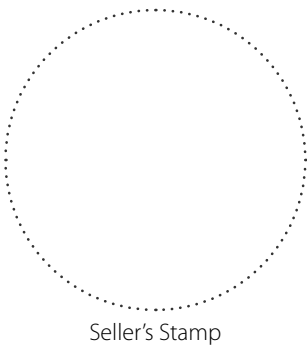


**CERTIFICATE OF ACCEPTANCE**

<b>Unit Type</b>	Heat and energy recovery air handling unit
<b>Model</b>	
<b>Serial Number</b>	
<b>Manufacture Date</b>	
<b>Quality Inspector's Stamp</b>	

**SELLER INFORMATION**

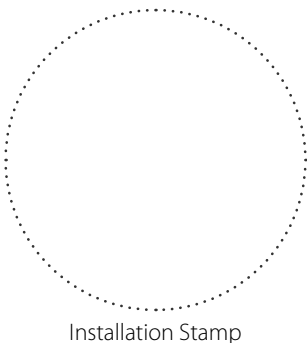
<b>Seller</b>	
<b>Address</b>	
<b>Phone Number</b>	
<b>E-mail</b>	
<b>Purchase Date</b>	
This is to certify acceptance of the complete unit delivery with the user's manual. The warranty terms are acknowledged and accepted.	
<b>Customer's Signature</b>	



**INSTALLATION CERTIFICATE**

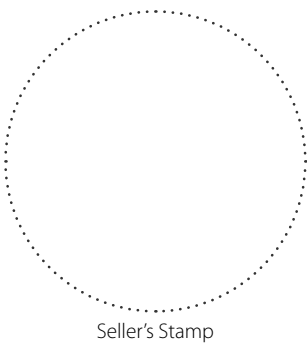
The \_\_\_\_\_ unit is installed pursuant to the requirements stated in the present user's manual.

<b>Company name</b>	
<b>Address</b>	
<b>Phone Number</b>	
<b>Installation Technician's Full Name</b>	
<b>Installation Date:</b>	<b>Signature:</b>
The unit has been installed in accordance with the provisions of all the applicable local and national construction, electrical and technical codes and standards. The unit operates normally as intended by the manufacturer.	
<b>Signature:</b>	



**WARRANTY CARD**

<b>Unit Type</b>	Heat and energy recovery air handling unit
<b>Model</b>	
<b>Serial Number</b>	
<b>Manufacture Date</b>	
<b>Purchase Date</b>	
<b>Warranty Period</b>	
<b>Seller</b>	





**VENTS**

