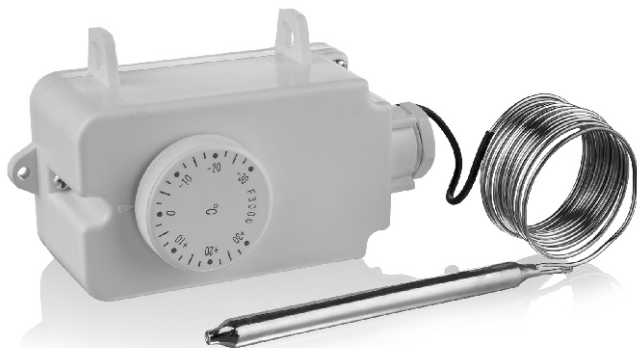


CAPILLARY THERMOSTAT

F3000-1.5 m



DESCRIPTION

The thermostats with switching outputs are designed for air, gas or liquid temperature monitoring and control in electric water heaters, dishwashers, washing machines, electric ovens, etc.

The thermostat operation is based on the volumetric temperature expansion properties. The copper sleeve encloses a temperature-sensing bulb.

As the liquid on the thermostat bulb is heated, it gets expanded and its excessive volume is transferred to the bellow sensing element.

The bellow sensing element is elongated and transmit load to the contact group.

This way the set temperature is automatically maintained in the system.

TECHNICAL DATA

Temperature control range [°C]	-30...+30
Capillary tube	Casing
Switching capacity	16 A 230 V (active load)
Mounting	wall-mounted
Temperature range	-30°C ...+30 °C
Measuring accuracy	±3°C
Differential	2±1 °C
Temperature sensing bulb length	150 mm

MOUNTING AND CONNECTION

Make sure that power supply is cut off.

Mounting and installation operations are allowed by qualified and trained electricians.

Fix the thermostat casing to the mounting surface with fixing screws on the front panel.

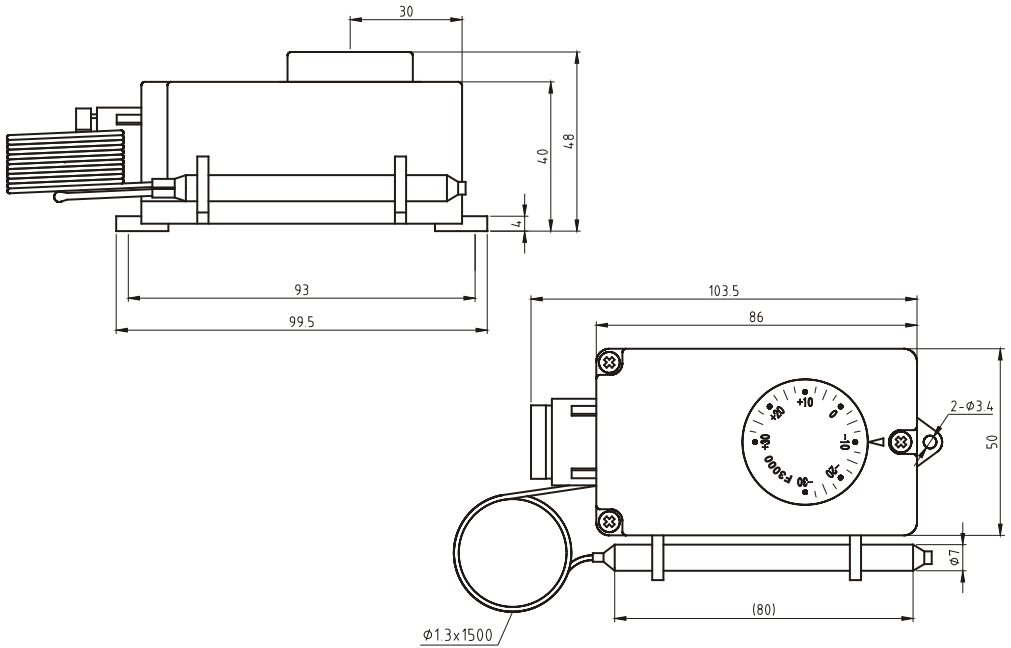
Place the temperature bulb to the temperature-controlled environment.

Unscrew the fasteners on the front panel and remove the front thermostat panel.

Connect the device in compliance with the wiring diagram.

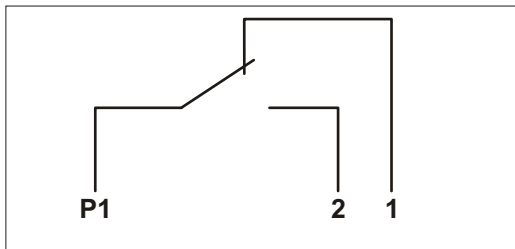
Secure the wires with screws. Assemble the unit.

Overall and connecting dimensions



WIRING DIAGRAM

Online temperature is below the set point - the contacts P1 and 1 are closed.
Online temperature is above the set point - the contacts P1 and 2 are closed.



MANUFACTURER'S WARRANTY

The manufacturer's warranty is 12 months from the sales date.
The supplier is not liable for any product damages resulted from incorrect transportation, misuse, unauthorized modification or repair.

ACCEPTANCE CERTIFICATE

The thermostat is recognized ready for operation

Sold by

Name of the trade company, seller's stamp

Sales date